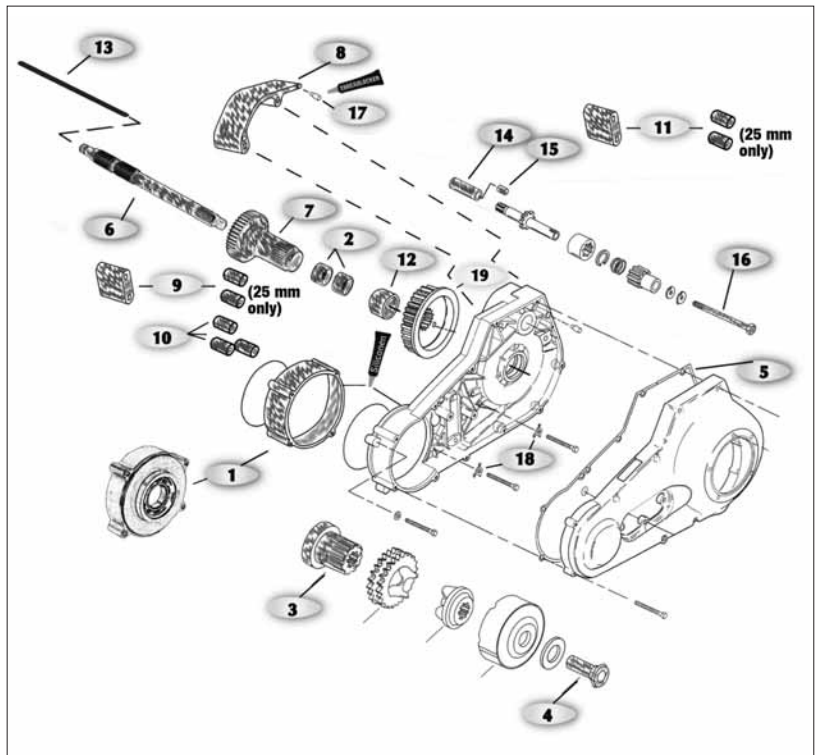




	12 mm offset ZPN 700878	25 mm offset ZPN 700889	45 mm offset ZPN 700925	55 mm offset ZPN 701120			
Pos.	Part no.	Qty.	Part no.	Qty.	Part no.	Qty.	Description
1	236497	1	032554	1	700919	1	701126 1 Inner spacer ring
2	239900	2	239900	2	239900	2	Needle bearing maindrive gear
3	346211	1	346210	1	346222	1	346240 1 Extended shaft extension
4	346215	1	346214	1	346229	1	346241 1 Extended crankshaft nut
5	700001	1	700001	1	700001	1	Gasket set
6	700836	1	700837	1	700915	1	701122 1 Extended Mainshaft
7	700838	1	700839	1	700839	1	701131 1 Extended main drive gear
8	700870	1	396006	1	700916	1	701123 1 Spacer, Top (bend)*
9	700871	1	396019	1	700917	1	701124 1 Spacer, long for use on Softail models*
10	700896	3	700897	3	-	-	-
11	700872	1	396019	1	700918	1	701125 1 Spacer, short*
12	700873	1	396003	1	700883	1	701139 1 Sprocket spacer
13	700874	1	396001	1	700921	1	701127 1 Clutch pushrod
14	-	-	700886	1	920026	1	920027 1 Starter Coupler for 25/45/45 mm kit
14	700876	1	-	-	-	-	-
15	700888	1	-	-	700914	1	701121 1 Inner spacer jackshaft
16	700875	1	396005	1	700922	1	701128 1 Starter motor bolt
17	700877	1	-	-	700877	1	700877 1 Primary spacer dowel pin 5/16"
18	940050	6	940050	6	940050	6	940050 6 Inner primary lock tab
19	-	-	-	-	193036	1	-
-	-	2	-	4	-	-	-
-	-	2	-	-	-	-	Hex Bolt 5/16-18 x 2 1/2"
-	-	4	-	-	4	-	Hex bolt 5/16-18 x 2"
-	-	-	-	4	-	-	Hex bolt 5/16-18 x 3 1/4"
-	-	-	-	4	2	-	Hex bolt 5/16-18 x 3 3/4"
-	-	-	-	2	-	-	Hex bolt 5/16-18 x 3"
-	-	-	-	-	4	-	Hex bolt 5/16-18 x 4 1/2"
-	-	-	-	-	4	-	Hex bolt 5/16-18 x 5"
-	-	2	2	-	2	-	Ring Flat 5/16"x 5/8"x 15g



**NOTE:** If used in 1990 thru 1993 transmissions the countershaft 5th gear must also be replaced with ZPN 237074 or OEM 35626-94