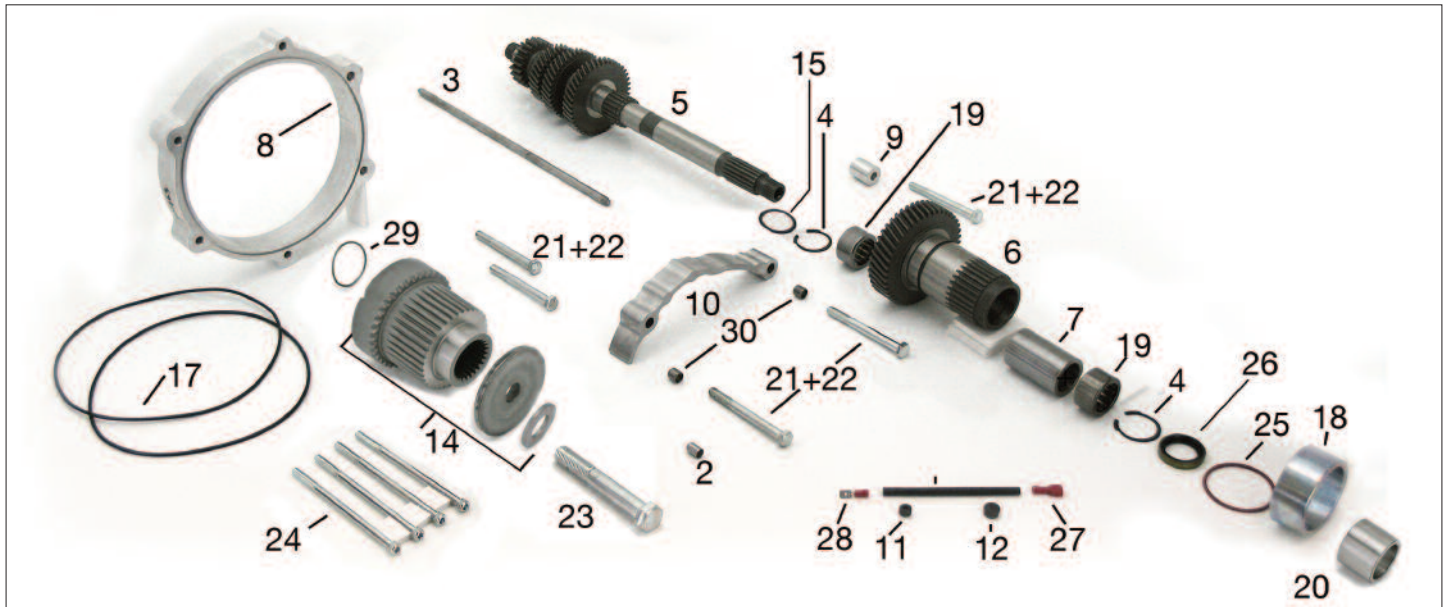




# ZPN 701958

**25 primary offset kit FXD 2012 thru 2013, Softail 2012 thru 2013**  
**Fits 2012 thru 2013 Touring when installed with the correct primary gasket (not included)**  
**Does not fit models with Screamin' Eagle compensator or models that have been upgraded to the 2014-up style compensator**



**ZPN 701958 25 primary offset kit**

Pos.	Part no	Description	Qty	Pos.	Part no	Description	Qty
-	231977	Kit Prim. Chain Cvr. FXD06-up, F*ST-07-up. .	1	14	701970	25mm compensator assy	
2	700877	Primary spacer dowel pin 5/16". . . . .	1	15	701971	Spacer washer for dog ring guide head in 2010-up models. . . . .	1
3	700921	25mm Extended 6 speed clutch rod. . . . .	1	17	701973	O-ring primary spacer 3x180mm. . . . .	2
-	701953	Gasket, transmission top cover. . . . .	1	18	701974	25mm Belt Pulley spacer. . . . .	1
-	742453	Trap door gasket. . . . .	1	19	702001	Bearing, main drive gear. . . . .	2
-	701955	Trap door cover gasket. . . . .	1	20	723106	Bearing race (OEM 34091-06). . . . .	1
4	701957	Retaining ring, drive gear bearing. . . . .	2	21	5000013	Washer, 5/16". . . . .	5
5	701960	25mm extended main shaft with. . . . .	1	22	5000083	5/16-18x3.250" hex UNC zinc. . . . .	5
6	701961	25mm extended main drive gear 6 speed. . .	1	23	5000131	Hex bolt 9/16"x4" UNC GR5 Zinc. . . . .	1
7	701962	25mm Inner output gear spacer. . . . .	1	24	5000132	Allen bolt 1/4"x5" UNC Zinc. . . . .	4
8	701963	25mm Primary spacer 2007up. . . . .	1	25	5231941	EACH O-ring Main Drive Gear. . . . .	1
9	701964	25mm Primary/transm. spacer/dowel. . . . .	1	26	5231957	Inner oil seal maindrive gear. . . . .	1
10	701965	25mm Primary to transm. spacer. . . . .	1	27	5239245	Plug female isolated. . . . .	1
11	701966	Wire grommet front. . . . .	1	28	5239246	Male plug. . . . .	1
12	701967	Wire hole plug. . . . .	1	29	5701958	O-ring. . . . .	1
13	701968	Shrink socket tube. . . . .	1	30	5740535	BUSHING, DOWEL". . . . .	2



### IMPORTANT NOTICE

2008 and later 6-Speed models have a slightly different main shaft. After the splines (on the clutch side), where the inner race of the support bearing is fitted the shaft has a slightly smaller diameter. Installation of this kit requires the use of the supplied (pos. 20) 2006-2007 bearing race (ZPN 723106, OEM 34091-06).

### WICHTIGER HINWEIS

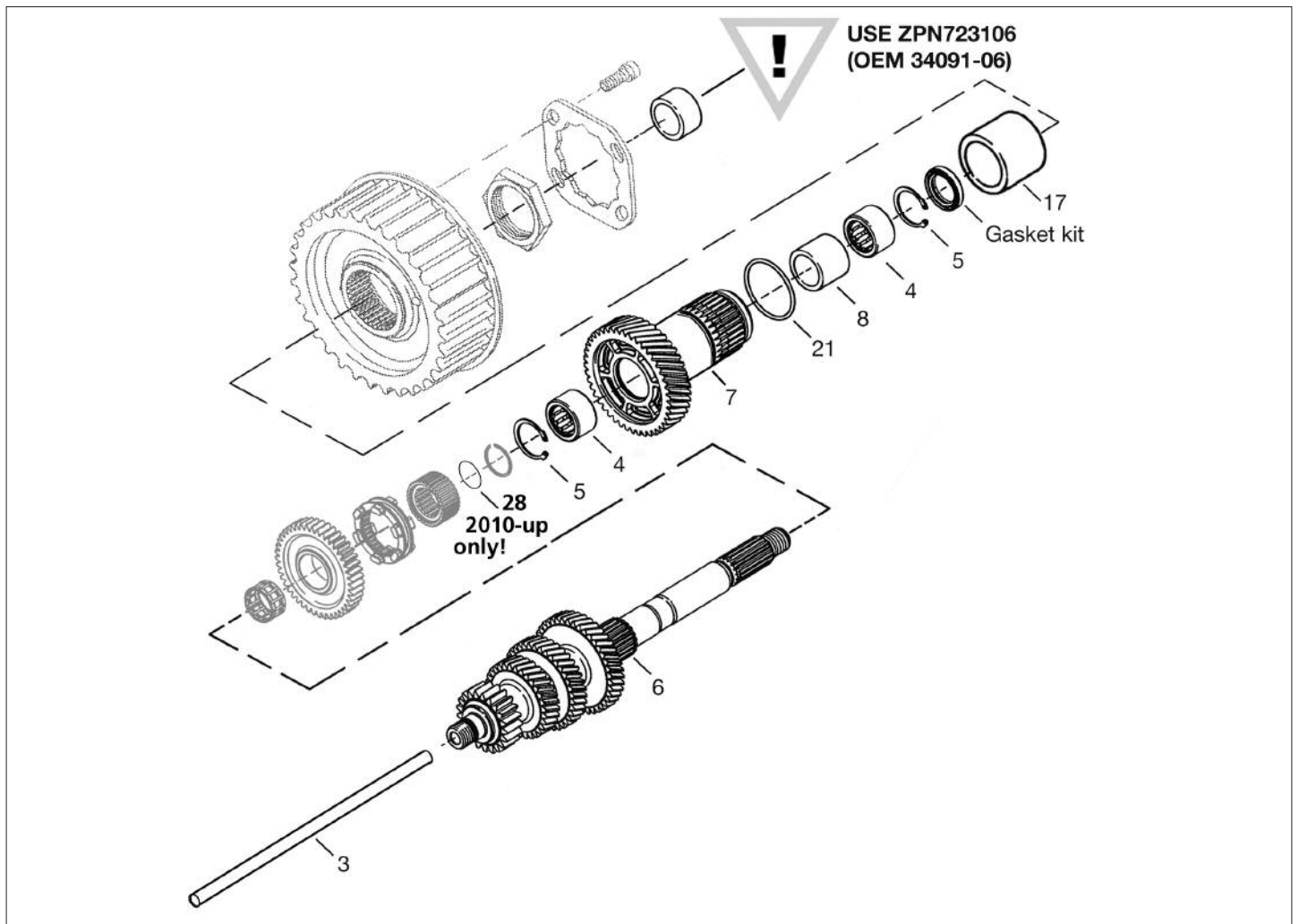
6-Gang Modelle ab 2008 besitzen eine leicht geänderte Hauptwelle. Hinter den Nuten (auf der Kupplungsseite) wo der innere Lagerring des Stützlagers auf der Hauptwelle sitzt ist der Durchmesser der Hauptwelle geringfügig kleiner. Bei der Montage dieser Kits muss deshalb die mitgelieferte Lagerschale (pos. 20) ZPN 723106 (OEM 34091-06) der Baujahre von 2006-2007 verwendet werden.

### AVVISO IMPORTANTE

I modelli a 6 marce dal 2008 in poi hanno l'albero principale leggermente differente. Dopo la scanalatura (sul lato frizione) dove è montata la pista interna del cuscinetto di supporto, l'albero ha un diametro leggermente inferiore. L'installazione di questo kit richiede l'uso di pista cuscinetto 2006-2007 (pos. 20) ZPN 723106 (OEM 34091-06).

### NOTE IMPORTANTE

Les boîtes 6 de 2008 et après ont un arbre primaire légèrement différent. Après les canelures (côté embrayage), là où se place la portée de carter primaire intérieur le diamètre est légèrement inférieur. L'installation de ce kit requiert l'utilisation de la portée des années 2006-2007 (pos. 20) ZPN 723106 (OEM 34091-06).





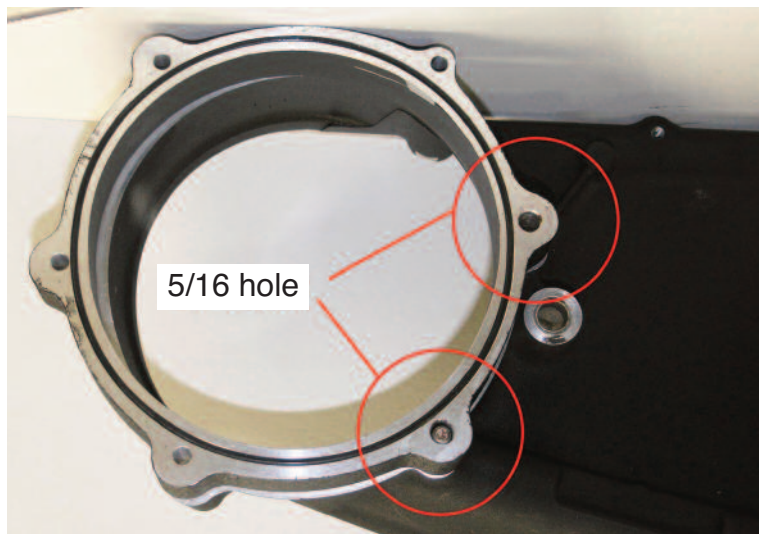
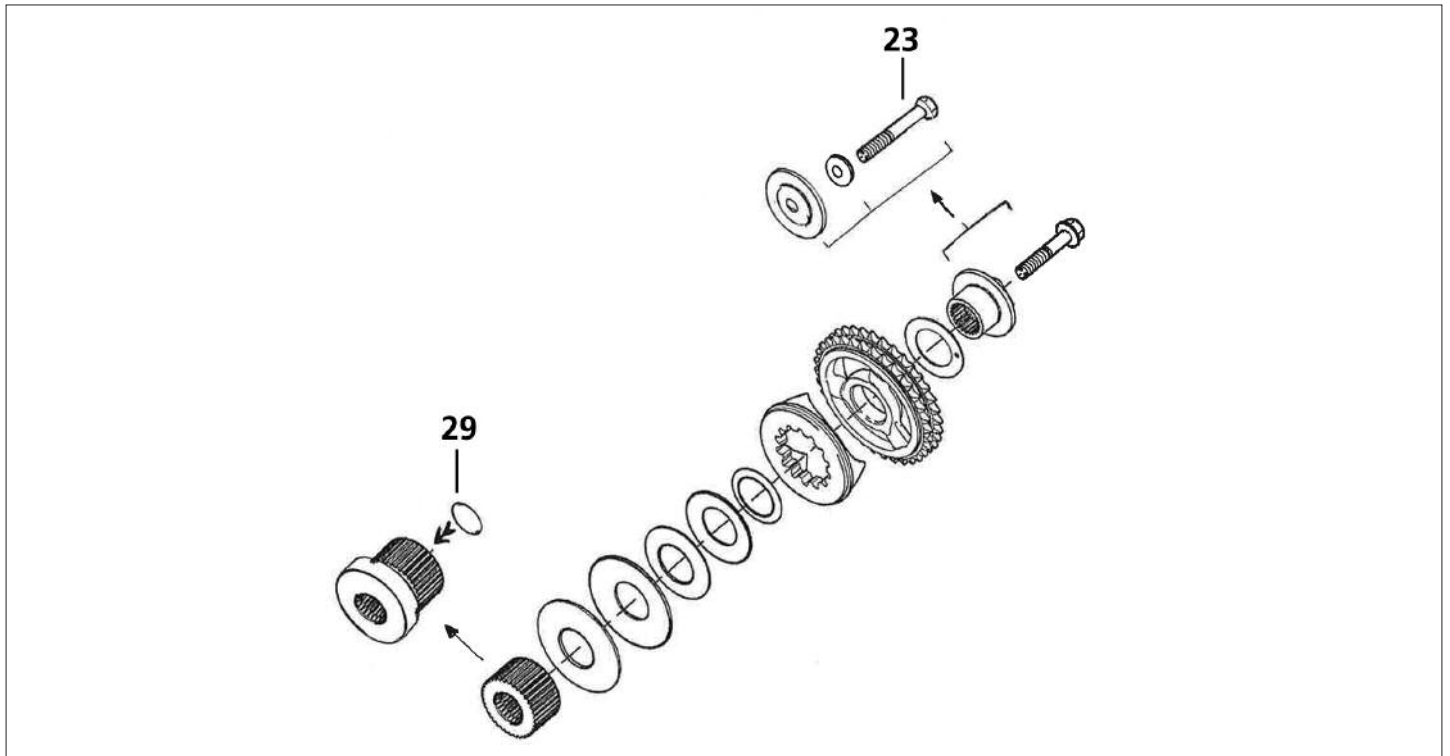
Notes:

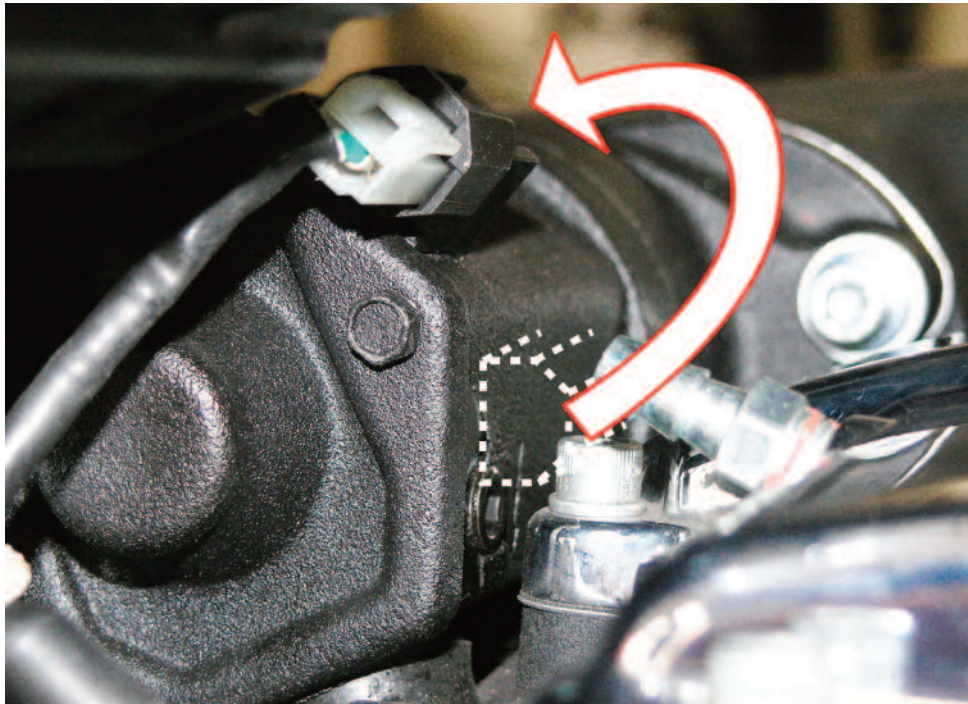
Pos.29, ZPN S701958

O-ring goes in the inside groove of the supplied offset compensator

Pos. 23, ZPN S000131 Hex bolt 9/16"x4"

Install with High Strength Loctite 271 and torque to 80 ft/lbs or 108 Nm





- Relocate connector/housing on starter or
- or
- connect one side of a wire (not included) to solenoid wiring.

Other side with (included) male plug to original connector.

**Note:** drill hole to solenoid cover and use grommet for wire guide.

