



231731/231904/731513

SSVR-12 (12 VOLT) FOR HARLEY DAVIDSON

SSVR-12 is an all solid state voltage and current regulator designed expressly for Harley-Davidson two (2) brush generators. It offers greater reliability and smoother voltage regulation than the mechanical regulator it replaces. It will easily keep any electric or kick start battery charged at the correct rate. Its unique output will safely operate the lights WITHOUT the use of a battery if your motorcycle is equipped with a magneto ignition. Ideal for states that require lights on at all times.

WARRANTY

SSVR-12 is warranted against circuit failure for 1 full year. It is made in Japan.

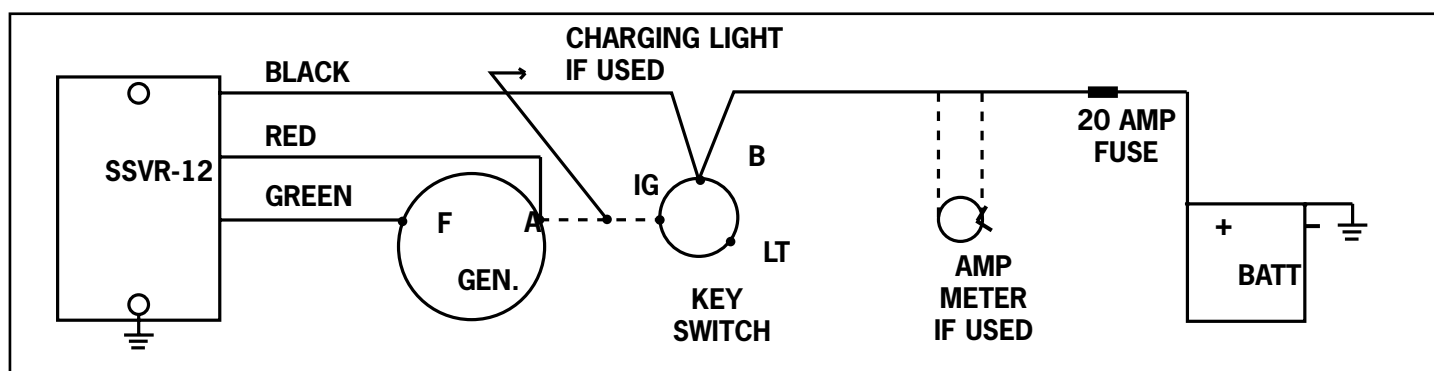
GENERATOR and BATTERY

Make sure brushes are good. Armature commutator must be clean. Battery terminals must be clean, acid up to level and a good ground connection. Be sure your battery will hold a charge and does not have an open or dead cell. If in doubt replace same.

INSTRUCTIONS

- 1) Mount SSVR-12 to grounded part of bike where some air flow is possible. Do not rubber mount.
- 2) Locate (F) field and (A) armature markings stamped on top of generator case.
- 3) (a) Connect RED wire from SSVR-12 to (A) post on generator.
(b) Connect GREEN wire from SSVR-12 to (F) post on generator.
(c) Connect BLACK wire from SSVR-12 to positive (+) battery terminal or to battery position on switch. A 20 AMP fuse is recommended.
- 4) NO BATTERY operation, connect BLACK wire to light switch.

WIRING DIAGRAM



POLARIZE

Generator MUST be polarized. Use jumper lead and momentarily touch positive battery terminal to (A) post on generator. WITHOUT battery, use the following procedure: Any battery with correct voltage may be used Ground negative (-) side of battery to frame, connect positive (+) side of battery to (A) post on generator momentarily. Generator is now polarized. Remove battery.

TESTING REGULATOR

SSVR-12 can be tested on any standard regulator testing machine using external ground setting 10 to 15 AMP cut-out.